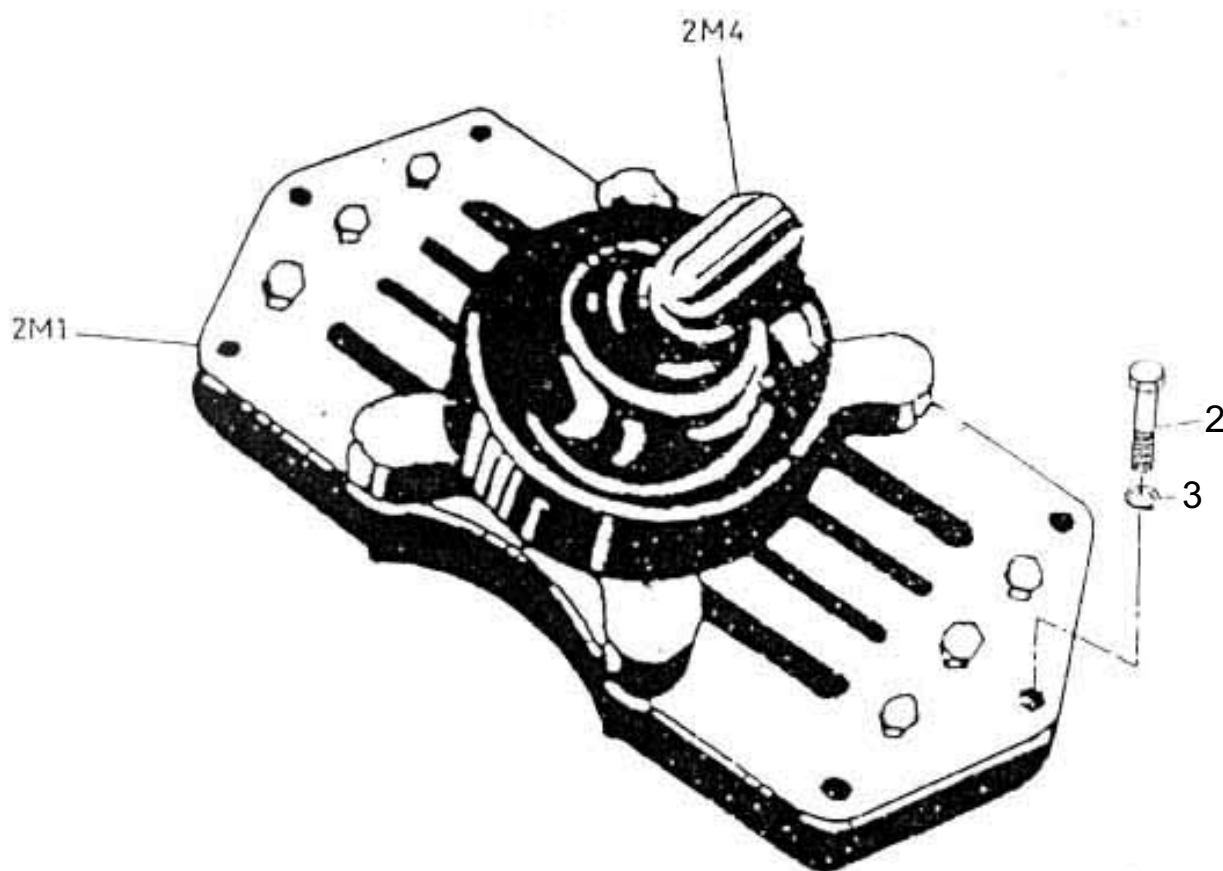


## 20. ASSEMBLY VALVE INLET & UNLOADER - MODEL 9.5 x 5 LUB

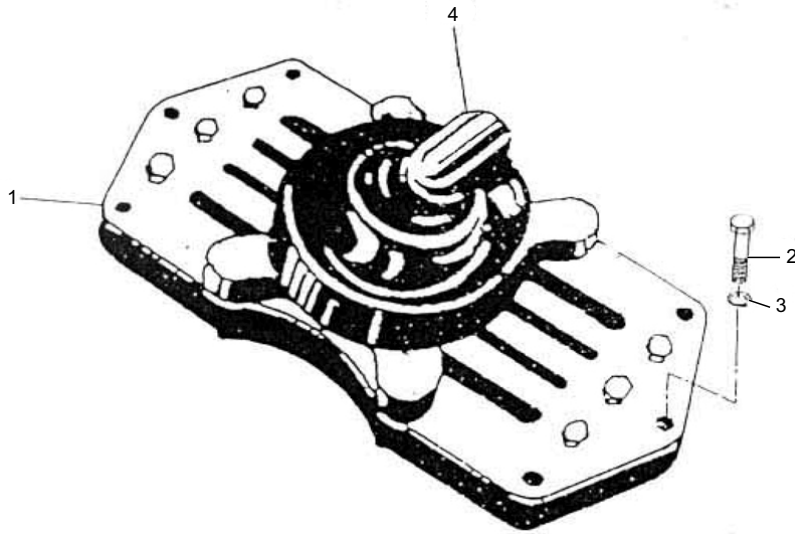


All manufacturer's names, numbers, photos, product description and/or part numbers are used for reference purposes only & it is not implied that any part listed is the product of these manufacturers. Since Approvement are made from time to time, the illustration and specifications are subject to change without notice.

## 20. ASSEMBLY VALVE INLET & UNLOADER - MODEL 9.5 x 5 LUB

No.	Description	Ref Part No.	QTY
–	Assembly Valve Inlet & Unloader	94485497	–
2M1	– Valve Inlet	37021565	1
2	– Bolt Hex Head 5/16" X 1-1/4"	95002978	6
3	– Washer Spring 5/16"	95096145	6
2M4	– Assembly Unloader	70265467	1

**94485497 - ASSEMBLY VALVE INLET & UNLOADER**



No.	Description	Ref Part No.	QTY
-	<b>ASSEMBLY VALVE INLET &amp; UNLOADER</b>	<b>94485497</b>	-
1	- VALVE INLET	37021565	1
2	- BOLT HEX HEAD 5/16" X 1-1/4"	95002978	6
3	- WASHER SPRING 5/16"	95096145	6
4	- ASSEMBLY UNLOADER	70265467	1